

# GP Batteries

## Data Sheet

Model No.: VJL004

Document Number: SDS0470

Revision: 00

Page 1 of 3

### Specifications:

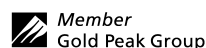
Model No	:	VJL004
For use with	:	JVC GR-DVP1, GR-DVP3, GR-DVP5, GR-DVP7
Color	:	BLACK (BLK)
Battery Type	:	Lithium Ion
Battery	:	4 x GP493048L72R-A
Nominal Voltage	:	7.4V
Maximum Charge Voltage	:	8.4V
Discharge Cut Off Voltage	:	5.6V
Typical Capacity	:	1440mAh at 0.2C**
Minimum Capacity	:	1290mAh at 0.2C**
Temperature Range	:	Charge: 0 ~ 45°C Discharge: -30 ~ 60°C Storage: -30 ~ 45°C
Casing Material	:	ABS+PC
Typical Weight	:	76g
Safety	:	Each battery pack has a protection circuit and a polyswitch that would protect against over-voltage, over-discharge and over-current abuses occur. Every Lithium Ion cell is provided with several internal safety features to prevent over-charge, over-current, and to resist physical abuse. Each has a temperature sensitive shut down separator, pressure sensitive tear away tab for current interruption, a safety vent, and the industries only temperature actuated current interrupter.
Warranty	:	Six (6) months limited warranty from date of purchase.

\*' Data valid only when the battery pack is on fully charged condition.

\*\*\*' Battery pack should be firstly charged and discharged for 3 complete cycles as a warm-up.

(Details refer to Lithium-Ion Battery Product Specification.)

Brand names of camcorders are registered trademarks of the respective manufacturers.



Manufacturer reserves the right to alter or amend the design, model and specification without prior notice.

# GP Batteries

**Data Sheet**

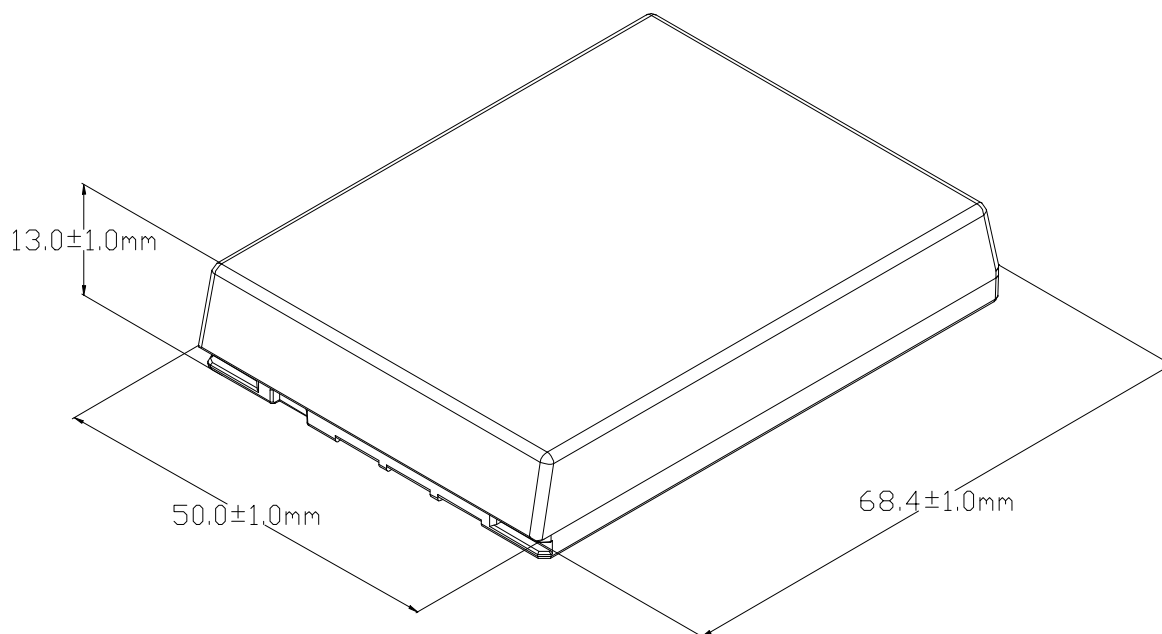
**Model No.: VJL004**

Document Number: SDS0470


Revision: 00

Page 2 of 3

**Mechanical Drawing:**



Remark: Dimensions showed are for reference only. For detail, please refer to the engineering drawing.

 Member  
Gold Peak Group

Manufacturer reserves the right to alter or amend the design, model and specification without prior notice.

# GP Batteries

**Data Sheet**

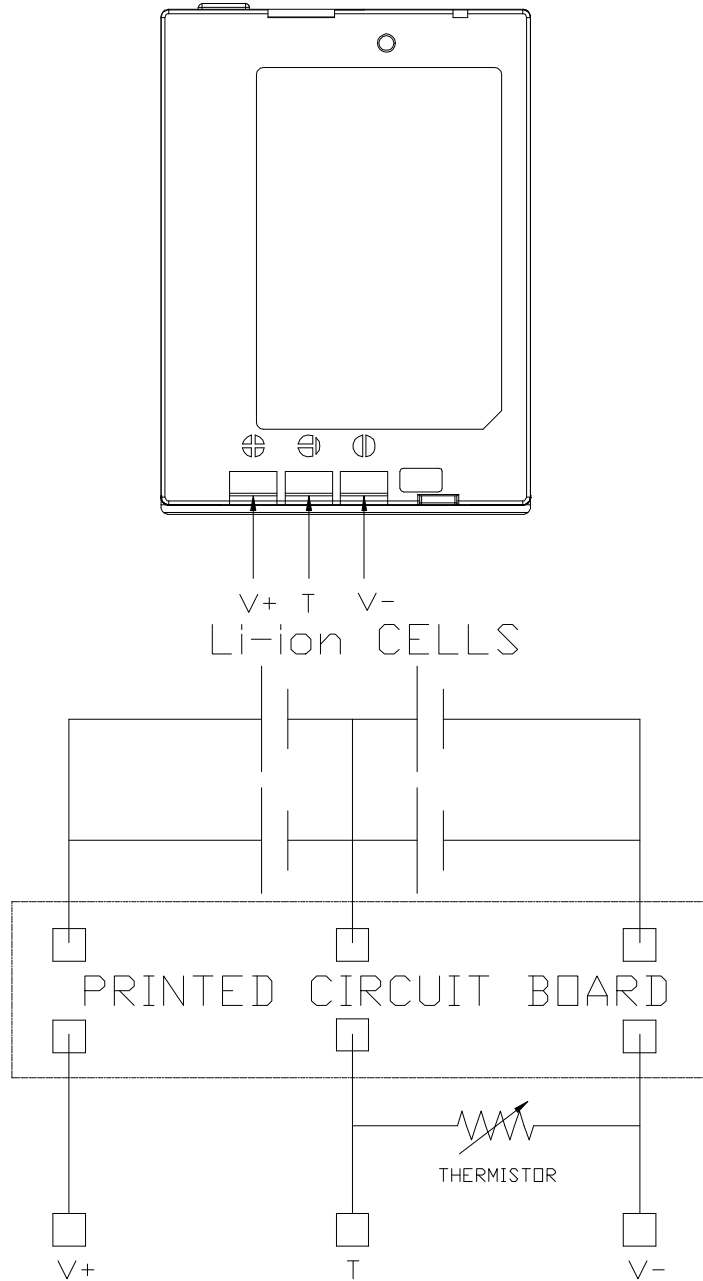
**Model No.: VJL004**

Document Number: SDS0470

Revision: 00

Page 3 of 3

**Circuit Diagram:**



DCV	'V+'-'V-'	7.4V MIN.
THERMISTOR	T-V-	9.8 - 11.4 k OHM (20-27°C)
CHECK POINT	SPECIFICATION	

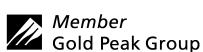
Distributed by:

**MICROBATTERY.COM**

7350 NW 35th Terrace, Miami, Florida 33122

Customer Service: 1-866-999-2355 Phone: 1-305-371-9200 Fax: 1-305-371-9400

www.microbattery.com



Manufacturer reserves the right to alter or amend the design, model and specification without prior notice.