

# GP Batteries

## Data Sheet

Model No.: VSL011

Document Number: SDS0522

Revision: 0

Page 1 of 3

### Specifications:

Model No	:	VSL011
For use with	:	Sony Camcorder CCD-SC series, CCD-TR series, CCD-TRV series, DCR-VX series, DCR-TRV series, DCR-TR7000, DCR-TR7100, DCR-TRV9E, DCR-TRV110E, DCR-TRV210E, DCR-TRV310E, DCR-TRV900E
Color	:	Black (BLK)
Battery Type	:	Lithium Ion
Battery	:	6 x GP1865L180
Nominal Voltage	:	7.4V
Maximum Charge Voltage	:	8.4V
Discharge Cut Off Voltage	:	5.6V
Typical Capacity	:	5400mAh at 0.2C**
Minimum Capacity	:	4860mAh at 0.2C**
Temperature Range	:	Charge: 0 ~ 45° C Discharge: -20 ~ 60° C Storage: -20 ~ 45° C
Casing Material	:	ABS + PC
Typical Weight	:	182g
Safety	:	Each battery pack has a protection circuit that would protect against over-voltage, over-discharge and over-current abuses occur. Every Lithium Ion cell is provided with several internal safety features to prevent over-charge, over-current, and to resist physical abuse. Each has a temperature sensitive shut down separator, pressure sensitive tear away tab for current interruption, a safety vent, and the industries only temperature actuated current interrupter.
Warranty	:	Six (6) months limited warranty from date of purchase.

\*' Data valid only when the battery pack is on fully charged condition.

\*\*\*' Battery pack should be firstly charged and discharged for 3 complete cycles as a warm-up.

(Details refer to Lithium-Ion Battery Product Specification.)

Brand names of camcorders are registered trademarks of the respective manufacturers.

# GP Batteries

**Data Sheet**

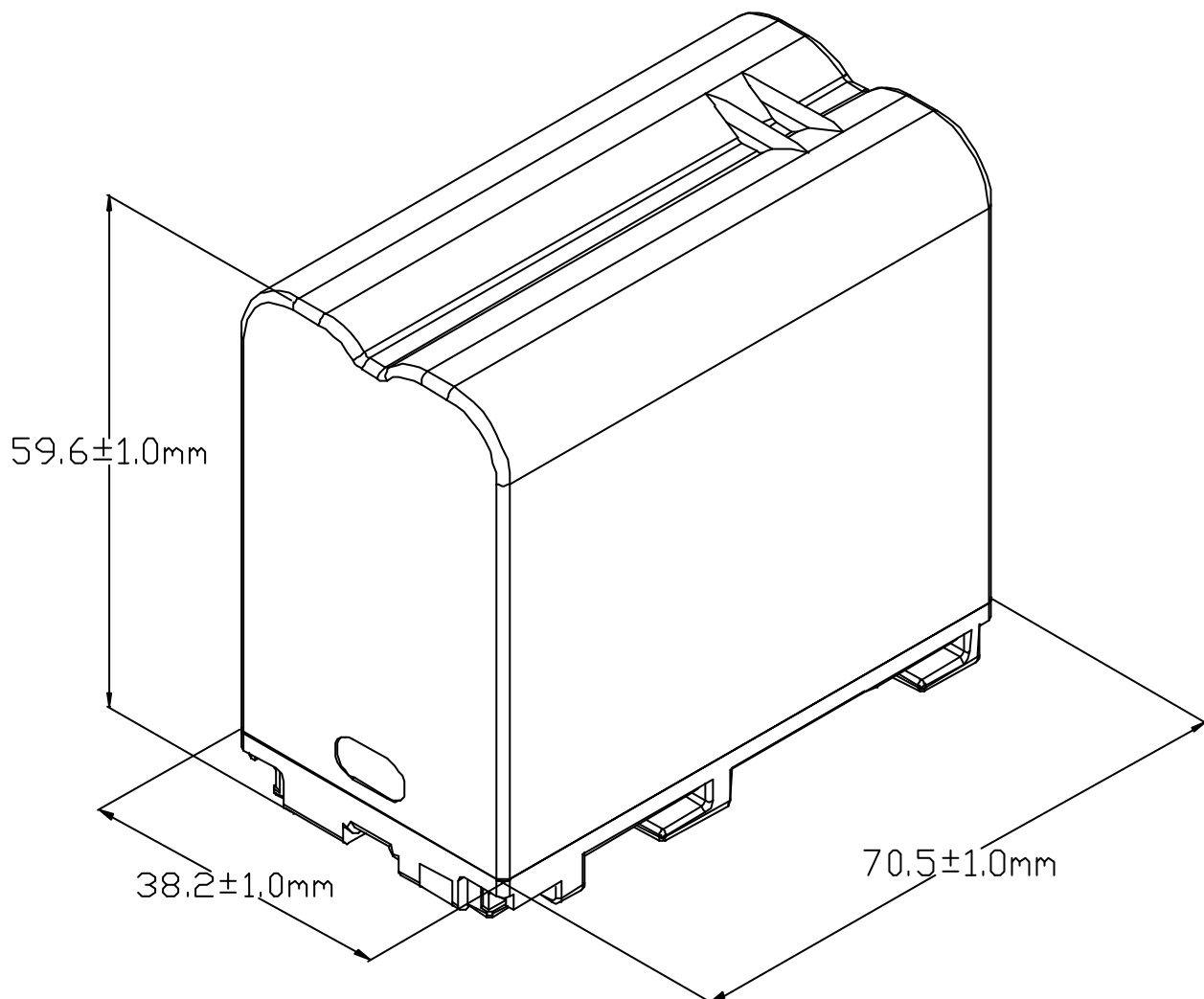
**Model No.: VSL011**

Document Number: SDS0522

Revision: 0

Page 2 of 3

**Mechanical Drawing:**



Remark: Dimensions showed are for reference only. For details, please refer to the engineering drawing.

# GP Batteries

**Data Sheet**

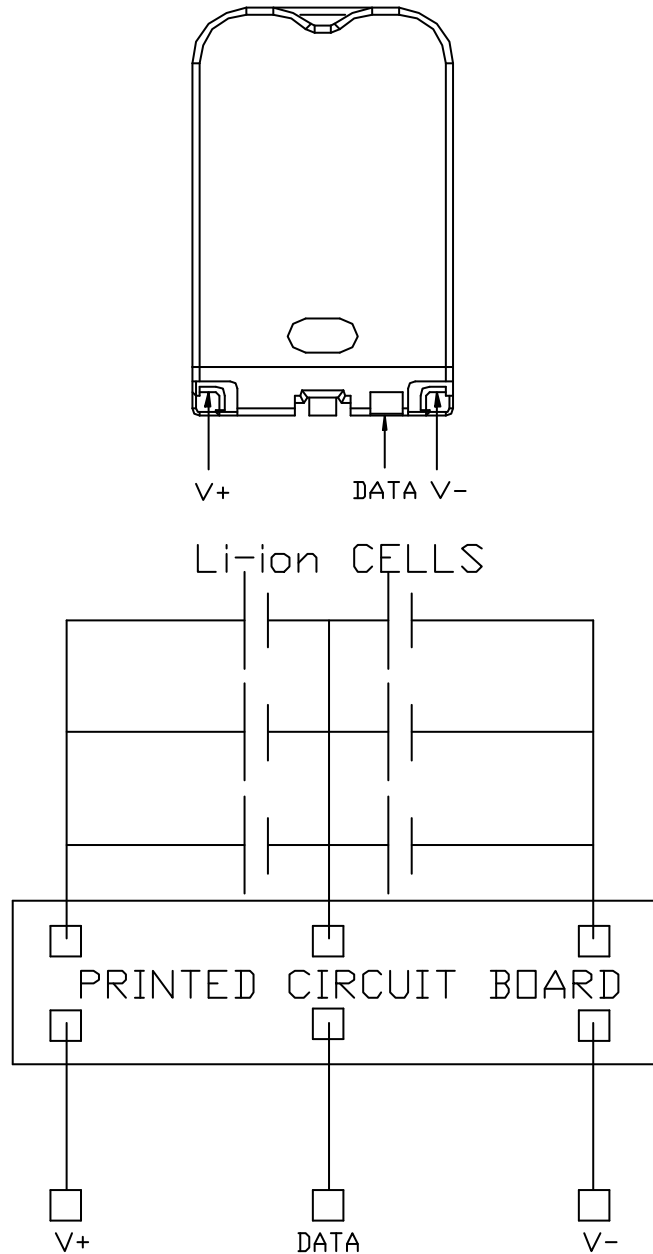
**Model No.: VSL011**

Document Number: SDS0522

Revision: 0

Page 3 of 3

**Circuit Diagram:**



DCV	'V+'-'V-'	7.4V MIN.
CHECK POINT		SPECIFICATION

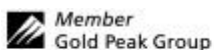
Distributed by:

**MICROBATTERY.COM**

7350 NW 35th Terrace, Miami, Florida 33122

Customer Service: 1-866-999-2355 Phone: 1-305-371-9200 Fax: 1-305-371-9400

www.microbattery.com



Manufacturer reserves the right to alter or amend the design, model and specification without prior notice.