

# GP Batteries

## Data Sheet

Model No.: VJL001

Document Number: SDS0332

Revision: 05

Page 1 of 3

### Specifications:

Model No	:	VJL001
For use with	:	JVC Camcorder (GR-DV1E, GR-DV2E, GR-DVJ70)
Color	:	Black (BLK)
Battery Type	:	Lithium Ion
Battery	:	1 × 1865L180
Nominal Voltage	:	3.7V
Maximum Charge Voltage	:	4.2V
Discharge Cut Off Voltage	:	2.8V
Nominal Capacity	:	1800 mAh at 0.2C**
Minimum Capacity	:	1670 mAh at 0.2C**
Continuous Operating Time*	:	NIL
Temperature Range	:	Charge: 0 ~ 45° C Discharge: -20 ~ 60° C Storage: -20 ~ 45° C
Casing Material	:	ABS + PC
Typical Weight	:	48.1g
Safety	:	Each battery pack has a protection circuit that would protect against over-voltage, over-discharge and over-current abuses occur. Every Lithium Ion cell is provided with several internal safety features to prevent over-charge, over-current, and to resist physical abuse. Each has a temperature sensitive shut down separator, pressure sensitive tear away tab for current interruption, a safety vent, and the industries only temperature actuated current interrupter.
Warranty	:	Six (6) months limited warranty from date of purchase.

\*' data valid only when the battery pack is on fully charged condition.

\*\*' Battery pack should be firstly charged and discharged for 3 complete cycles as a warm-up.

(Details refer to Lithium-Ion Battery Product Specification.)

Brand names of camcorders are registered trademarks of the respective manufacturers.

# GP Batteries

**Data Sheet**

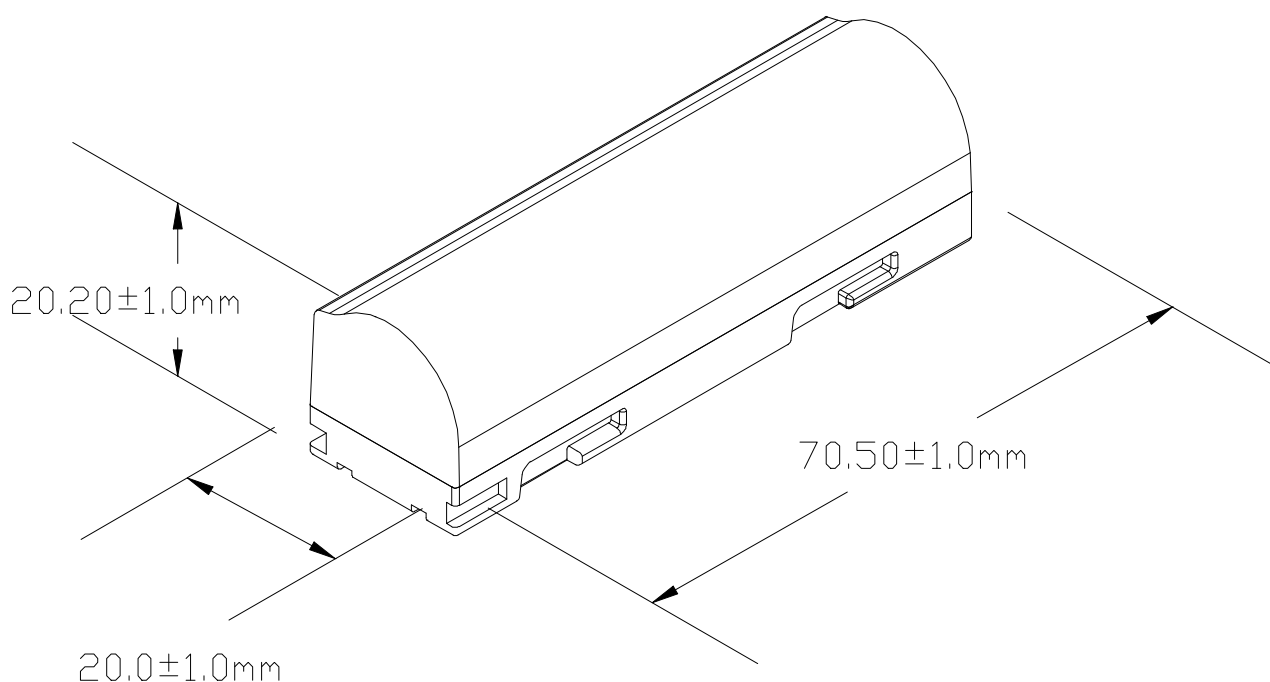
**Model No.: VJL001**

Document Number: SDS0332

Revision: 05

Page 2 of 3

**Mechanical Drawing:**



Remark: Dimensions showed are for reference only. For detail, please refer to the engineering drawing.

# GP Batteries

**Data Sheet**

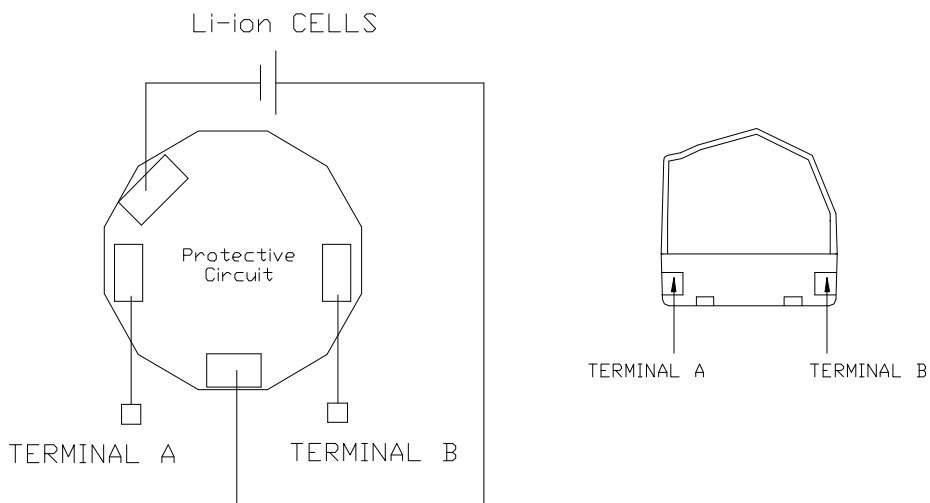
**Model No.:VJL001**

Document Number: SDS0332

Revision: 05

Page 3 of 3

**Circuit Diagram:**



DCV	A-B	SPECIFICATION
		3.7V MIN. (A IS -VE TERMINAL)
CHECK POINT		


Distributed by:

**MICROBATTERY.COM**

7350 NW 35th Terrace, Miami, Florida 33122

Customer Service: 1-866-999-2355 Phone: 1-305-371-9200 Fax: 1-305-371-9400

www.microbattery.com

 Member  
Gold Peak Group

Manufacturer reserves the right to alter or amend the design, model and specification without prior notice.